

The rotating demolition tools of the Dedicated Demolition Line have been developed for primary and secondary demolition. Their jaws are designed for each application area within a demolition job site: Combi Shear DLC, Demolition Shear DLD or Pulveriser DLP.

- ▶ **Powerful cylinder** with robust pin suspension.
- ▶ **Cylinder** in two chamber technique with **speed valve**.
- ▶ **Rotation with additional oil passage.**
- ▶ Twin rotation motors for **extra rotation power**.
- ▶ **Swing bearing double pivoted.**
- ▶ **Rotation circuit filters.**
- ▶ **Teeth, shrouds and cutting blades exchangeable.**
- ▶ **Excellent speed/ power to weight ratio.**
- ▶ **DLP: exchangeable ground tooth-plate.**



DLD-25

Rotating Combi Shears DLC

Type	Operating weight	Weight	Jaw width A	Jaw depth E	Lower jaw width B	Upper jaw width C	Height D	Length blades	Closing force*
	(t)	(kg)	(mm)	(mm)	(mm)	(mm)	(mm)	(mm)	(t)
DLC-25	18 - 25	1880	785	800	390	90	1995	400	70/100
DLC-30	22 - 35	2455	875	900	455	100	2150	400	80/125
DLC-45	32 - 50	3085	980	990	470	100	2365	500	110/150

Rotating Demolition Shears DLD

Type	Operating weight	Weight	Jaw width A	Jaw depth E	Lower jaw width B	Upper jaw width C	Height D	Length blades	Closing force*
	(t)	(kg)	(mm)	(mm)	(mm)	(mm)	(mm)	(mm)	(t)
DLD-25	18 - 25	1905	825	800	390	90	2035	200	75/125
DLD-30	22 - 35	2450	870	885	450	100	2155	200	85/135
DLD-45	32 - 50	3110	990	945	470	100	2360	200	110/160

Rotating Pulveriser DLP

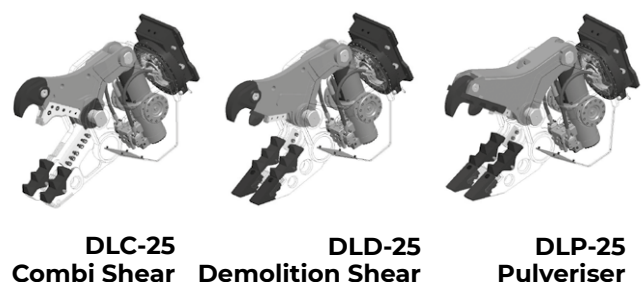
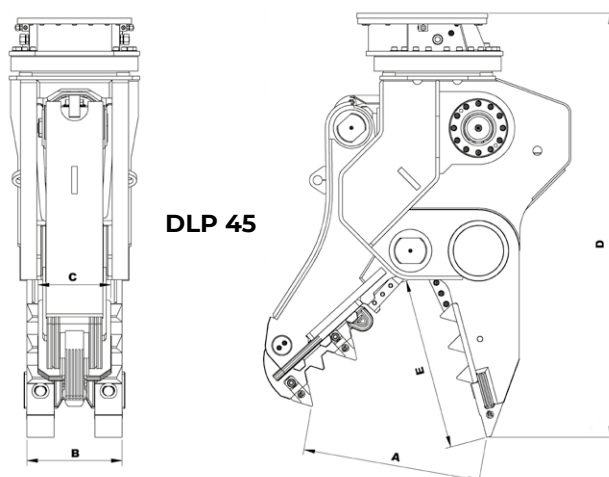
Type	Operating weight	Weight	Jaw width A	Jaw depth E	Lower jaw width B	Upper jaw width C	Height D	Length blades	Closing force*
	(t)	(kg)	(mm)	(mm)	(mm)	(mm)	(mm)	(mm)	(t)
DLP-25	18 - 25	1920	790	800	390	325	2035	200	70/100
DLP-30	22 - 35	2425	860	885	450	350	2155	200	80/125
DLP-45	32 - 50	3150	985	945	470	400	2360	200	110/150

* closing force measured at front tooth / splitting tooth

Hydraulics

Type	Open / close		Rotation		Cycle times (open / close) (sec)
	Pressure max. (bar)	Flow (l/min)	Pressure max. (bar)	Flow (l/min)	
DLC-25 / DLD-25 / DLP-25	380	120 - max. 200	140	40 - max. 60	2,5 / 2,5
DLC-30 / DLD-30 / DLP-30	380	150 - max. 250	140	40 - max. 60	2,5 / 2,5
DLC-45 / DLD-45 / DLP-45	380	200 - max. 300	140	40 - max. 60	2,6 / 2,9

Technical drawing



The rotating demolition tools of the Dedicated Demolition Line have been developed for primary and secondary demolition. Their jaws are designed for each application area within a demolition job site: Combi Shear DLC, Demolition Shear DLD or Pulveriser DLP.

- ▶ **Powerful cylinder** with robust pin suspension.
- ▶ **Cylinder** in two chamber technique with **speed valve**.
- ▶ **Rotation with additional oil passage.**
- ▶ Twin rotation motors for **extra rotation power**.
- ▶ **Swing bearing double pivoted.**
- ▶ **Rotation circuit filters.**
- ▶ **Teeth, shrouds and cutting blades exchangeable.**
- ▶ **Excellent speed/ power to weight ratio.**
- ▶ **DLP: exchangeable ground tooth-plate.**



Rotating Combi Shears DLC

Type	Operating weight	Weight	Jaw opening A	Jaw depth E	Lower jaw width B	Upper jaw width C	Height D	Length blades	Closing force*
	(t)	(kg)	(mm)	(mm)	(mm)	(mm)	(mm)	(mm)	(t)
DLC-45	32 - 50	3085	980	990	470	100	2365	500	110/150

Rotating Demolition Shears DLD

Type	Operating weight	Weight	Jaw opening A	Jaw depth E	Lower jaw width B	Upper jaw width C	Height D	Length blades	Closing force*
	(t)	(kg)	(mm)	(mm)	(mm)	(mm)	(mm)	(mm)	(t)
DLD-45	32 - 50	3110	990	945	470	100	2360	200	110/160

Rotating Pulveriser DLP

Type	Operating weight	Weight	Jaw opening A	Jaw depth E	Lower jaw width B	Upper jaw width C	Height D	Length blades	Closing force*
	(t)	(kg)	(mm)	(mm)	(mm)	(mm)	(mm)	(mm)	(t)
DLP-45	32 - 50	3150	985	945	470	400	2360	200	110/150

* closing force measured at front tooth / splitting tooth

Hydraulics

Type	Open / close		Rotation		Cycle times (open / close) (sec)
	Pressure max. (bar)	Flow (l/min)	Pressure max. (bar)	Flow (l/min)	
DLC-45 / DLD-45 / DLP-45	380	200 - max. 300	140	40 - max. 60	2,6 / 2,9

Technical drawings

