

The robust pallet fork KM 415 with spring loaded centre of gravity compensation can easily be adapted to different loads with adjustable plunge depth and adjustable tine spread.

- ▷ **Efficient handling** of many different kinds of loads in an economic, one-man operation is possible due to the automatic shifting of the KM 415 to a preset position. Compression springs return slide to initial position.
- ▷ **Throat height adjustable in steps** from 1050 mm to 1650 mm with a lock pin.
- ▷ **Tine spread adjustable in steps** from 325 mm to max. 975 mm with a lock pin.



## Pallet fork KM 415

Type	Load capacity (kg)	Throat height N (min./max.) (mm)	Tine length L (mm)	Tine spread Z (min./max.) (mm)	Tine dimensions (width x height) (mm)	Centre of gravity (mm)	Self weight (w/o rotator) (kg)
<b>KM 415-1500-500</b>	1500	1050 – 1650	980	325 – 920	80 x 35	500	135
<b>KM 415-2000-500</b>	2000	1050 – 1650	980	345 – 940	100 x 35	500	155
<b>KM 415-2500-500</b>	2500	1050 – 1650	980	355 – 945	90 x 40	500	180
<b>KM 415-3000-500</b>	3000	1050 – 1650	980	385 – 975	100 x 45	500	215
<b>KM 415-1500-600</b>	1500	1050 – 1650	1150	345 – 940	100 x 35	600	170
<b>KM 415-2000-600</b>	2000	1050 – 1650	1150	355 – 945	90 x 40	600	200
<b>KM 415-2500-600</b>	2500	1050 – 1650	1150	385 – 975	100 x 45	600	225
<b>KM 415-3000-600</b>	3000	1050 – 1650	1150	385 – 975	100 x 45	600	225

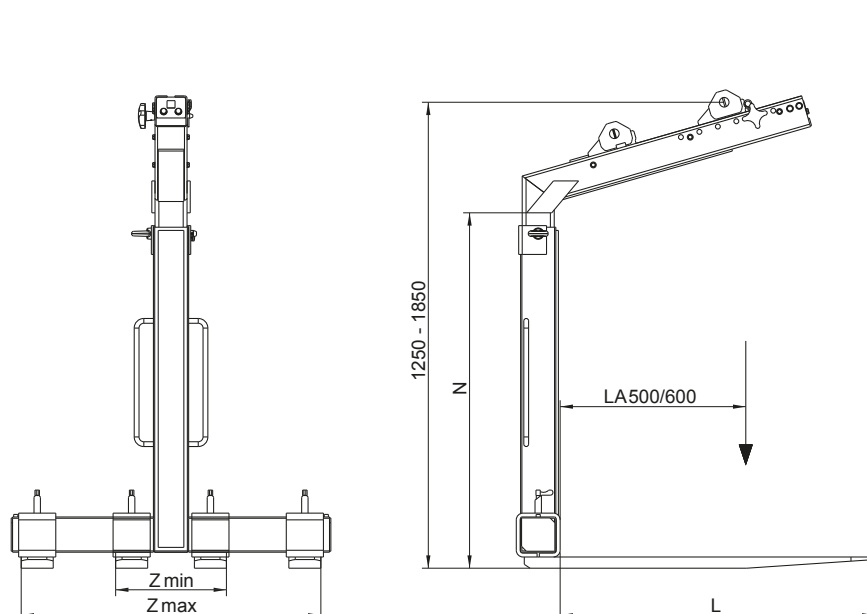
**Package consists of:** pallet fork, protection chain KM 460 01, 2 chain elements for suspension

**Please note:** protection trellis or net is mandatory for loose material (EN 13155). Automatic compensation of centre of gravity functions with a min. pack weight of approx. 250 to 500 kg.

## Accessories

Type	Description
<b>KM 460 (1100x1100)</b>	protection trellis for loads up to 2000 kg – dimensions: 1100x1100x1500mm
<b>KM 460 (1300x1300)</b>	protection trellis for loads up to 2000 kg – dimensions: 1300x1300x1500mm
<b>KM 04 S</b>	KINSHOFER shaft rotator – up to 4500 kg load capacity
<b>KM 460 03 (KM 04 S)</b>	rigid suspension link with pin for rotator KM 04 S

## Technical drawings



### KM 460 protection trellis

The protection trellis is used to secure loose loads handled with pallet forks KM 415 and KM414 – e.g. brick packages, loose construction materials. When handling loose material, a protection trellis or net to secure the load, is obligatory (EN 13155). The maximum capacity is 2000 kg. The protection trellis can be mounted within a few minutes and is thus suitable for each construction site without any problems.